

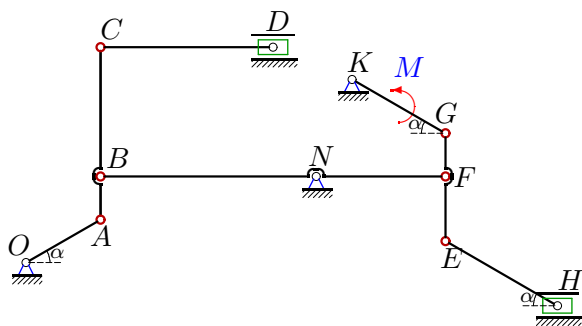
## Условие равновесия механизма

Плоский многозвенный механизм с одной степенью свободы находится в равновесии. К кривошипу  $OA$  приложен момент  $M$ . Размеры даны в сантиметрах. Дан ряд  $p$  распределения дискретной случайной величины силы сопротивления в ползунах  $T_i, i = 1, \dots, 4$ . Найти математическое ожидание и дисперсию момента  $M$ .

Кирсанов М.Н. **Решебник. Теоретическая механика** / Под ред. А. И. Кириллова. – М.: ФИЗМАТЛИТ, 2008. – 384 с. (с.158.)

### Задача L-27.1.

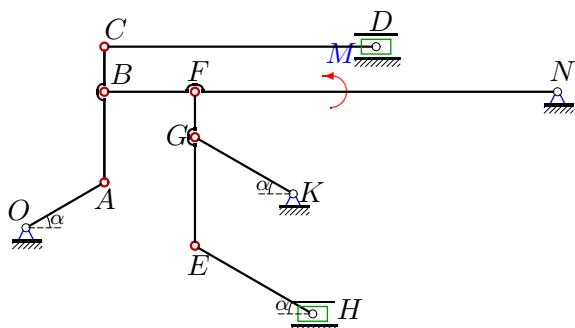
Барина Анастасия



$\alpha = 30^\circ$ ,  
 $AB = 10, BC = 30$ ,  
 $NB = 50, NF = 30$ ,  
 $CD = 40, EH = 30$ ,  
 $FE = 15, FG = 10$ ,  
 $OA = 20, KG = 25$ .  
 $p = [0.1, 0.3, 0.35, 0.25]$ ,  
 $T = [8.5, 7.5, 6, 5]$  Н.

### Задача L-27.2.

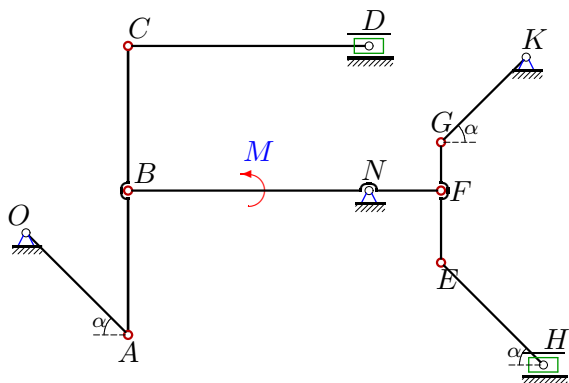
Безобразова Анна



$\alpha = 30^\circ$ ,  
 $AB = 20, BC = 10$ ,  
 $BF = 20, NF = 80$ ,  
 $CD = 60, EH = 30$ ,  
 $FG = 10, GE = 24$ ,  
 $OA = 20, KG = 25$ .  
 $p = [0.1, 0.3, 0.4, 0.2]$ ,  
 $T = [8, 7, 6.5, 5.5]$  Н.

### Задача L-27.3.

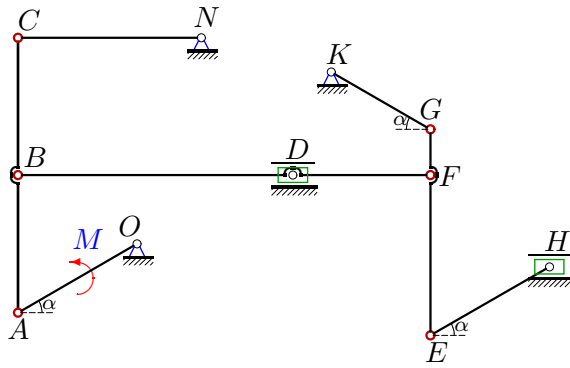
Дубов Дмитрий



$\alpha = 45^\circ$ ,  
 $AB = 30, BC = 30$ ,  
 $NB = 50, NF = 15$ ,  
 $CD = 50, EH = 30$ ,  
 $FE = 15, FG = 10$ ,  
 $OA = 30, KG = 25$ .  
 $p = [0.05, 0.35, 0.4, 0.2]$ ,  
 $T = [8, 7, 6, 5]$  Н.

Задача L-27.4.

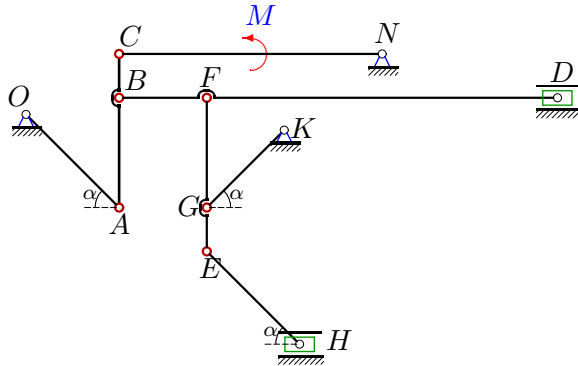
Кощев Артем



$\alpha = 30^\circ$ ,  
 $AB = 30, BC = 30,$   
 $DB = 60, DF = 30,$   
 $NC = 40, EH = 30,$   
 $FE = 35, FG = 10,$   
 $OA = 30, KG = 25.$   
 $p = [0.05, 0.35, 0.35, 0.25],$   
 $T = [8.5, 7, 6, 5] \text{ Н.}$

Задача L-27.5.

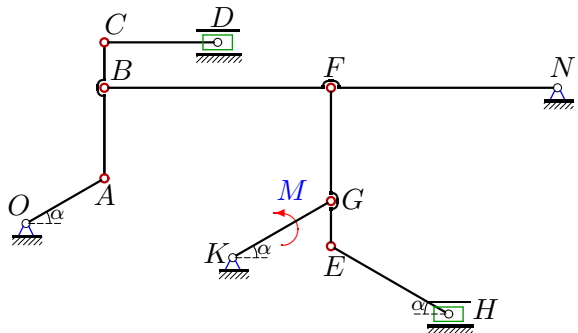
Логвинец Артем



$\alpha = 45^\circ$ ,  
 $AB = 25, BC = 10,$   
 $BF = 20, FD = 80,$   
 $NC = 60, EH = 30,$   
 $FE = 35, FG = 25,$   
 $OA = 30, KG = 25.$   
 $p = [0.1, 0.3, 0.4, 0.2],$   
 $T = [8, 7, 6.5, 5.5] \text{ Н.}$

Задача L-27.6.

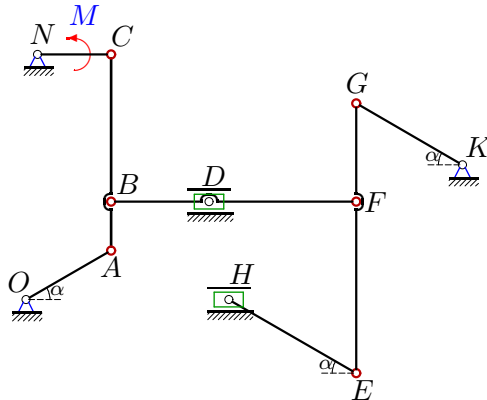
Малянов Иван



$\alpha = 30^\circ$ ,  
 $AB = 20, BC = 10,$   
 $BF = 50, NF = 50,$   
 $CD = 25, EH = 30,$   
 $FG = 25, GE = 10,$   
 $OA = 20, KG = 25.$   
 $p = [0.05, 0.35, 0.4, 0.2],$   
 $T = [8, 7, 6, 5.5] \text{ Н.}$

Задача L-27.7.

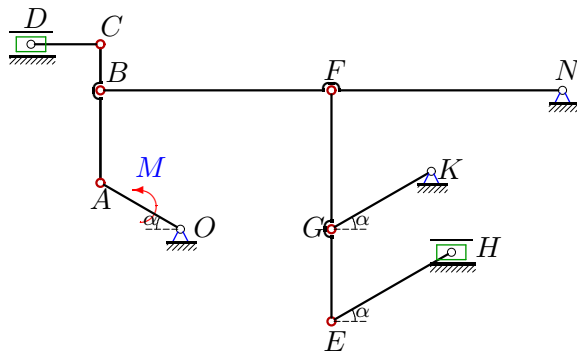
Рябцев Андрей



$\alpha = 30^\circ$ ,  
 $AB = 10, BC = 30,$   
 $DB = 20, DF = 30,$   
 $NC = 15, EH = 30,$   
 $FE = 35, FG = 20,$   
 $OA = 20, KG = 25.$   
 $p = [0.05, 0.35, 0.35, 0.25],$   
 $T = [8.5, 7, 6, 5] \text{ Н.}$

Задача L-27.8.

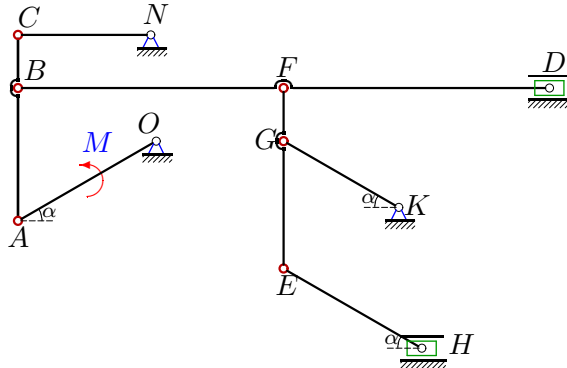
Сайтулаев Муса



$\alpha = 30^\circ$ ,  
 $AB = 20, BC = 10,$   
 $BF = 50, NF = 50,$   
 $CD = 15, EH = 30,$   
 $FG = 30, GE = 20,$   
 $OA = 20, KG = 25.$   
 $p = [0.05, 0.35, 0.4, 0.2],$   
 $T = [8, 7, 6.5, 5.5] \text{ Н.}$

Задача L-27.9.

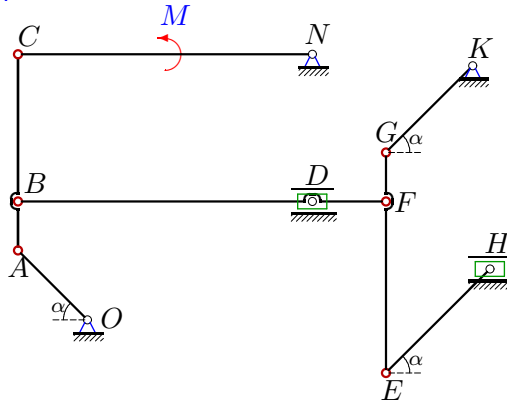
Смирнов Павел



$\alpha = 30^\circ$ ,  
 $AB = 25, BC = 10,$   
 $BF = 50, FD = 50,$   
 $NC = 25, EH = 30,$   
 $FE = 34, FG = 10,$   
 $OA = 30, KG = 25.$   
 $p = [0.05, 0.35, 0.4, 0.2],$   
 $T = [8, 7, 6.5, 5.5] \text{ Н.}$

Задача L-27.10.

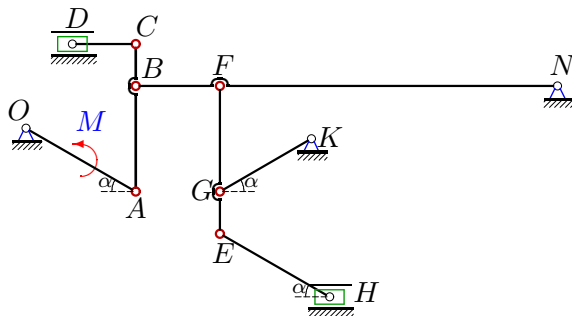
Цыганов Дмитрий



$\alpha = 45^\circ$ ,  
 $AB = 10, BC = 30,$   
 $DB = 60, DF = 15,$   
 $NC = 60, EH = 30,$   
 $FE = 35, FG = 10,$   
 $OA = 20, KG = 25.$   
 $p = [0.05, 0.35, 0.4, 0.2],$   
 $T = [8, 7.5, 6.5, 5] \text{ Н.}$

Задача L-27.11.

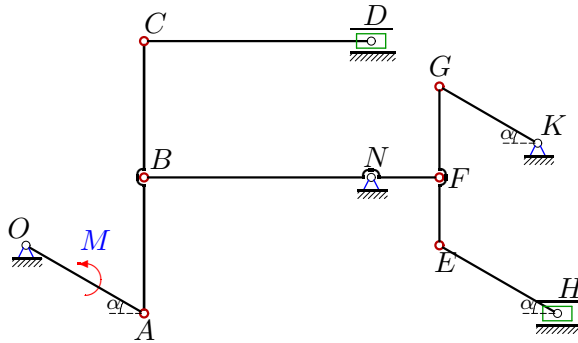
Васин Павел



$\alpha = 30^\circ$ ,  
 $AB = 25, BC = 10,$   
 $BF = 20, NF = 80,$   
 $CD = 15, EH = 30,$   
 $FG = 25, GE = 10,$   
 $OA = 30, KG = 25.$   
 $p = [0.1, 0.3, 0.35, 0.25],$   
 $T = [8.5, 7, 6.5, 5.5] \text{ Н.}$

Задача L-27.12.

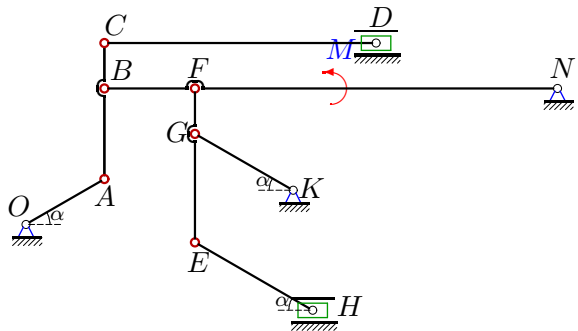
Похвалитова Анна



$\alpha = 30^\circ$ ,  
 $AB = 30, BC = 30,$   
 $NB = 50, NF = 15,$   
 $CD = 50, EH = 30,$   
 $FE = 15, FG = 20,$   
 $OA = 30, KG = 25.$   
 $p = [0.05, 0.35, 0.4, 0.2],$   
 $T = [8, 7.5, 6, 5.5] \text{ Н.}$

Задача L-27.13.

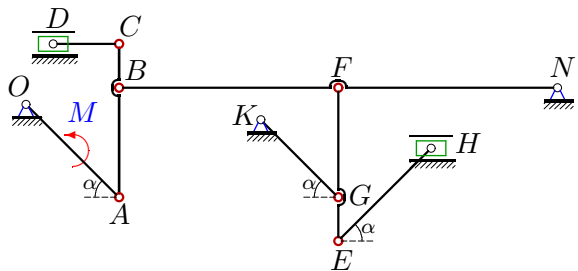
Сенчихина Дарья



$\alpha = 30^\circ$ ,  
 $AB = 20, BC = 10,$   
 $BF = 20, NF = 80,$   
 $CD = 60, EH = 30,$   
 $FG = 10, GE = 24,$   
 $OA = 20, KG = 25.$   
 $p = [0.1, 0.3, 0.4, 0.2],$   
 $T = [8, 7.5, 6, 5.5] \text{ Н.}$

Задача L-27.14.

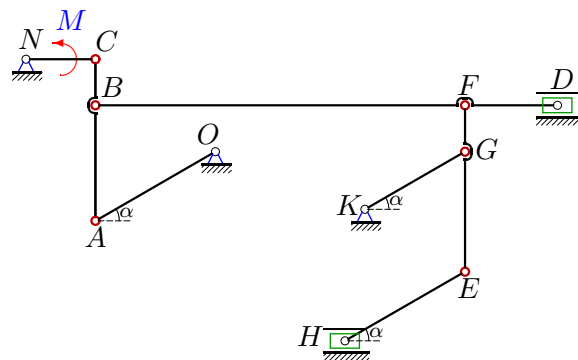
Фам Тхай Ву



$\alpha = 45^\circ$ ,  
 $AB = 25, BC = 10,$   
 $BF = 50, NF = 50,$   
 $CD = 15, EH = 30,$   
 $FG = 25, GE = 10,$   
 $OA = 30, KG = 25.$   
 $p = [0.05, 0.35, 0.4, 0.2],$   
 $T = [8, 7.5, 6, 5] \text{ Н.}$

Задача L-27.15.

Ромеро Моника



$\alpha = 30^\circ$ ,  
 $AB = 25, BC = 10,$   
 $BF = 80, FD = 20,$   
 $NC = 15, EH = 30,$   
 $FE = 36, FG = 10,$   
 $OA = 30, KG = 25.$   
 $p = [0.05, 0.35, 0.4, 0.2],$   
 $T = [8, 7, 6.5, 5.5] \text{ Н.}$