

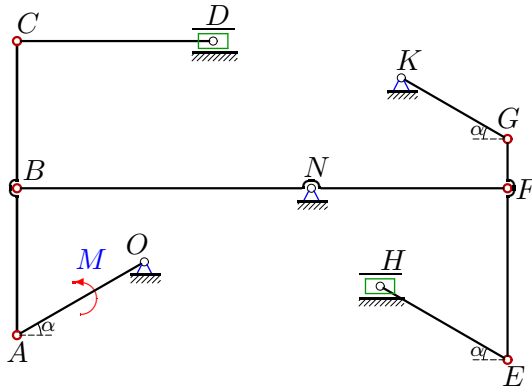
Условие равновесия механизма

Плоский многосвязный механизм с одной степенью свободы находится в равновесии. К кривошипу OA приложен момент M . Размеры даны в сантиметрах. Дан ряд p распределения дискретной случайной величины силы сопротивления в ползунах $T_i, i = 1, \dots, 4$. Найти математическое ожидание и дисперсию момента M .

Кирсанов М.Н. **Решебник. Теоретическая механика** / Под ред. А. И. Кириллова. – М.: ФИЗМАТЛИТ, 2008. – 384 с. (с.158.)

Задача L-27.1.

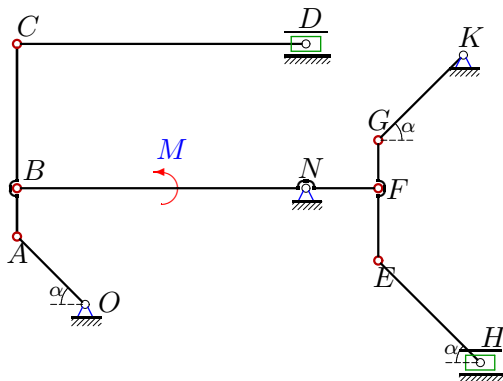
1



$\alpha = 30^\circ$,
 $AB = 30, BC = 30$,
 $NB = 60, NF = 40$,
 $CD = 40, EH = 30$,
 $FE = 35, FG = 10$,
 $OA = 30, KG = 25$.
 $p = [0.1, 0.3, 0.4, 0.2]$,
 $T = [8, 7, 6.5, 5.5]$ Н.

Задача L-27.2.

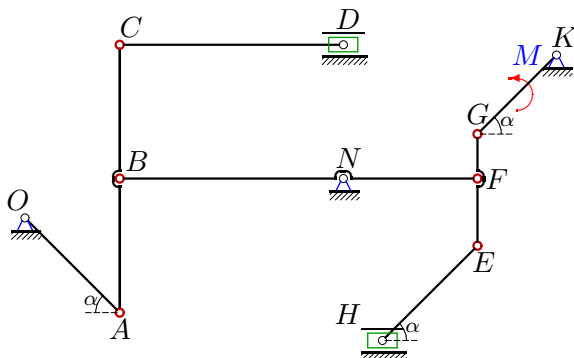
1



$\alpha = 45^\circ$,
 $AB = 10, BC = 30$,
 $NB = 60, NF = 15$,
 $CD = 60, EH = 30$,
 $FE = 15, FG = 10$,
 $OA = 20, KG = 25$.
 $p = [0.1, 0.3, 0.4, 0.2]$,
 $T = [8, 7, 6.5, 5]$ Н.

Задача L-27.3.

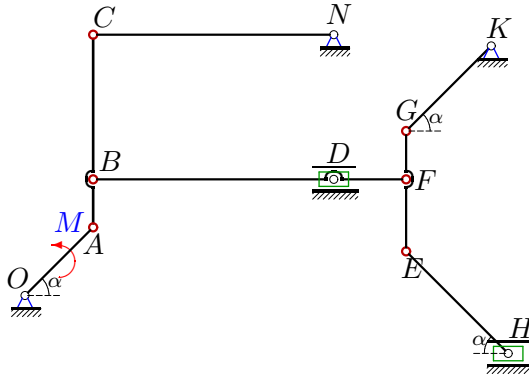
1



$\alpha = 45^\circ$,
 $AB = 30, BC = 30$,
 $NB = 50, NF = 30$,
 $CD = 50, EH = 30$,
 $FE = 15, FG = 10$,
 $OA = 30, KG = 25$.
 $p = [0.05, 0.35, 0.35, 0.25]$,
 $T = [8.5, 7.5, 6.5, 5]$ Н.

Задача L-27.4.

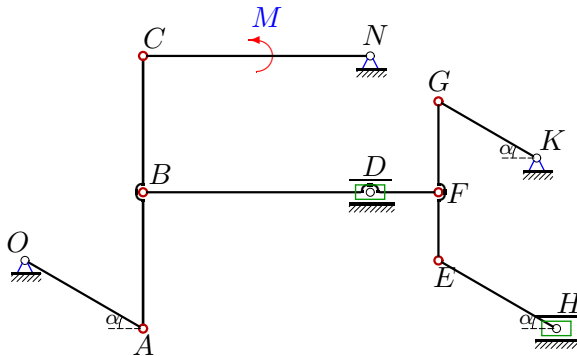
1



$\alpha = 45^\circ$,
 $AB = 10$, $BC = 30$,
 $DB = 50$, $DF = 15$,
 $NC = 50$, $EH = 30$,
 $FE = 15$, $FG = 10$,
 $OA = 20$, $KG = 25$.
 $p = [0.1, 0.3, 0.4, 0.2]$,
 $T = [8, 7.5, 6.5, 5.5]$ Н.

Задача L-27.5.

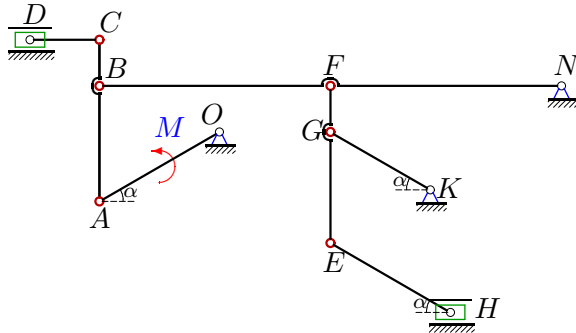
1



$\alpha = 30^\circ$,
 $AB = 30$, $BC = 30$,
 $DB = 50$, $DF = 15$,
 $NC = 50$, $EH = 30$,
 $FE = 15$, $FG = 20$,
 $OA = 30$, $KG = 25$.
 $p = [0.05, 0.35, 0.35, 0.25]$,
 $T = [8.5, 7, 6, 5]$ Н.

Задача L-27.6.

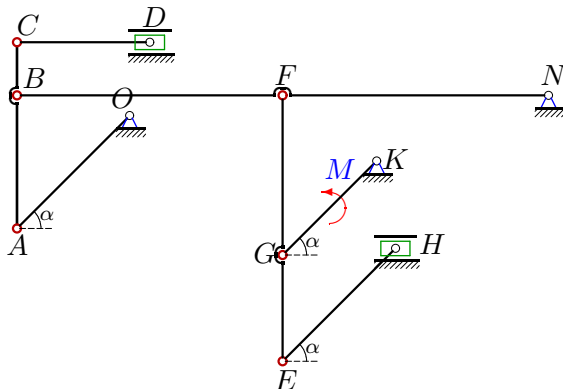
1



$\alpha = 30^\circ$,
 $AB = 25$, $BC = 10$,
 $BF = 50$, $NF = 50$,
 $CD = 15$, $EH = 30$,
 $FG = 10$, $GE = 24$,
 $OA = 30$, $KG = 25$.
 $p = [0.05, 0.35, 0.4, 0.2]$,
 $T = [8, 7.5, 6.5, 5]$ Н.

Задача L-27.7.

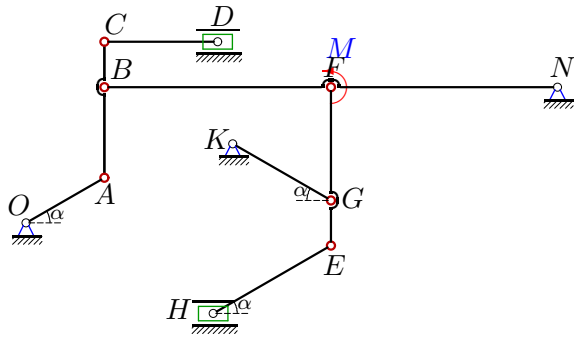
1



$\alpha = 45^\circ$,
 $AB = 25$, $BC = 10$,
 $BF = 50$, $NF = 50$,
 $CD = 25$, $EH = 30$,
 $FG = 30$, $GE = 20$,
 $OA = 30$, $KG = 25$.
 $p = [0.1, 0.3, 0.4, 0.2]$,
 $T = [8, 7.5, 6.5, 5.5]$ Н.

Задача L-27.8.

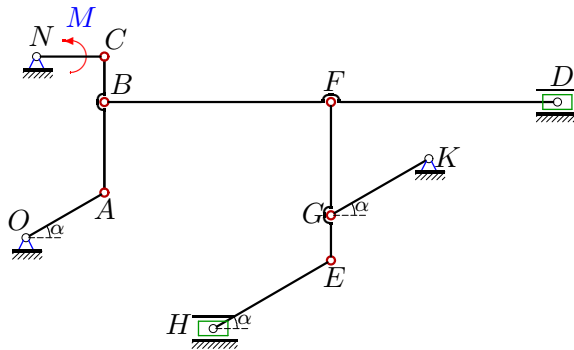
1



$\alpha = 30^\circ$,
 $AB = 20, BC = 10,$
 $BF = 50, NF = 50,$
 $CD = 25, EH = 30,$
 $FG = 25, GE = 10,$
 $OA = 20, KG = 25.$
 $p = [0.05, 0.35, 0.35, 0.25],$
 $T = [8.5, 7, 6, 5.5] \text{ H.}$

Задача L-27.9.

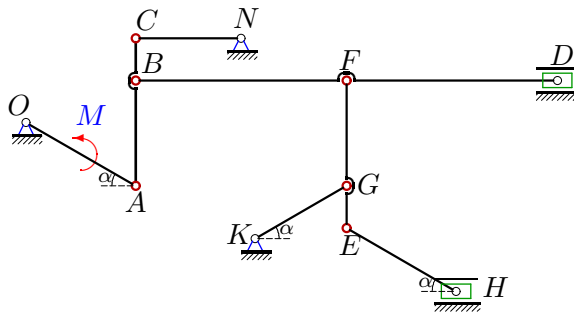
1



$\alpha = 30^\circ$,
 $AB = 20, BC = 10,$
 $BF = 50, FD = 50,$
 $NC = 15, EH = 30,$
 $FE = 35, FG = 25,$
 $OA = 20, KG = 25.$
 $p = [0.05, 0.35, 0.4, 0.2],$
 $T = [8, 7, 6.5, 5] \text{ H.}$

Задача L-27.10.

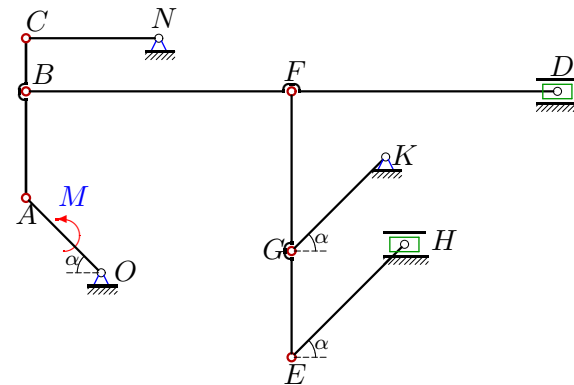
1



$\alpha = 30^\circ$,
 $AB = 25, BC = 10,$
 $BF = 50, FD = 50,$
 $NC = 25, EH = 30,$
 $FE = 35, FG = 25,$
 $OA = 30, KG = 25.$
 $p = [0.05, 0.35, 0.35, 0.25],$
 $T = [8.5, 7, 6.5, 5] \text{ H.}$

Задача L-27.11.

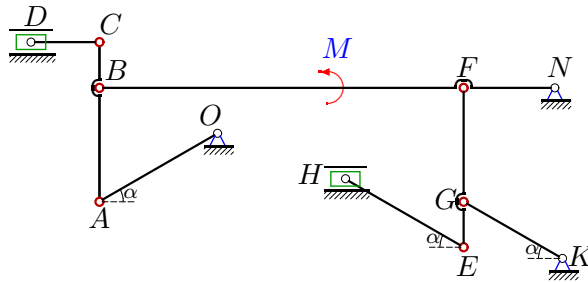
1



$\alpha = 45^\circ$,
 $AB = 20, BC = 10,$
 $BF = 50, FD = 50,$
 $NC = 25, EH = 30,$
 $FE = 50, FG = 30,$
 $OA = 20, KG = 25.$
 $p = [0.1, 0.3, 0.35, 0.25],$
 $T = [8.5, 7, 6, 5.5] \text{ H.}$

Задача L-27.12.

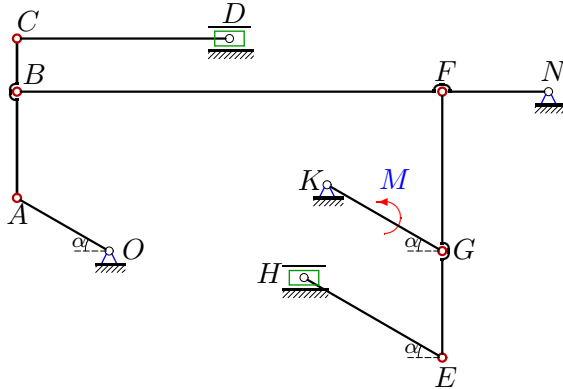
1



$\alpha = 30^\circ$,
 $AB = 25, BC = 10,$
 $BF = 80, NF = 20,$
 $CD = 15, EH = 30,$
 $FG = 25, GE = 10,$
 $OA = 30, KG = 25.$
 $p = [0.1, 0.3, 0.4, 0.2],$
 $T = [8, 7.5, 6.5, 5.5] \text{ H.}$

Задача L-27.13.

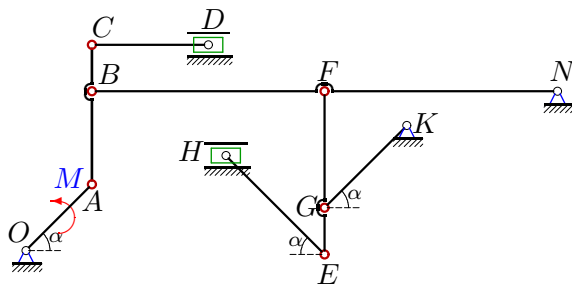
1



$\alpha = 30^\circ$,
 $AB = 20, BC = 10,$
 $BF = 80, NF = 20,$
 $CD = 40, EH = 30,$
 $FG = 30, GE = 20,$
 $OA = 20, KG = 25.$
 $p = [0.05, 0.35, 0.35, 0.25],$
 $T = [8.5, 7, 6, 5.5] \text{ H.}$

Задача L-27.14.

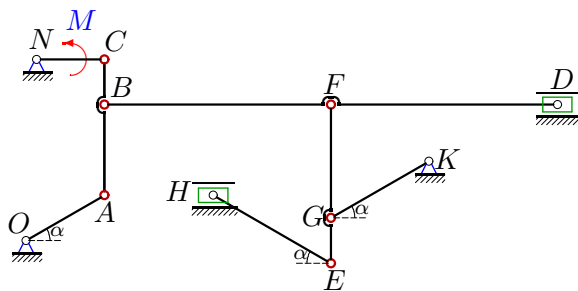
1



$\alpha = 45^\circ$,
 $AB = 20, BC = 10,$
 $BF = 50, NF = 50,$
 $CD = 25, EH = 30,$
 $FG = 25, GE = 10,$
 $OA = 20, KG = 25.$
 $p = [0.05, 0.35, 0.4, 0.2],$
 $T = [8, 7, 6.5, 5.5] \text{ H.}$

Задача L-27.15.

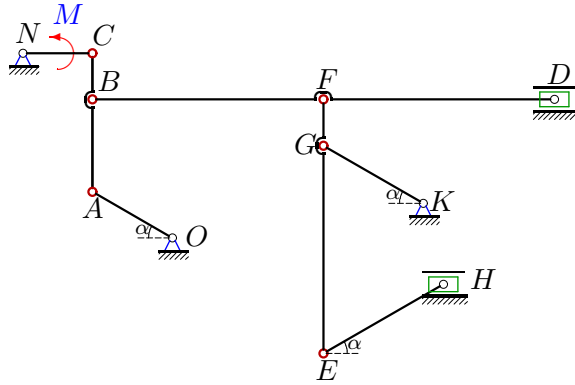
1



$\alpha = 30^\circ$,
 $AB = 20, BC = 10,$
 $BF = 50, FD = 50,$
 $NC = 15, EH = 30,$
 $FE = 35, FG = 25,$
 $OA = 20, KG = 25.$
 $p = [0.1, 0.3, 0.4, 0.2],$
 $T = [8, 7.5, 6, 5.5] \text{ H.}$

Задача L-27.16.

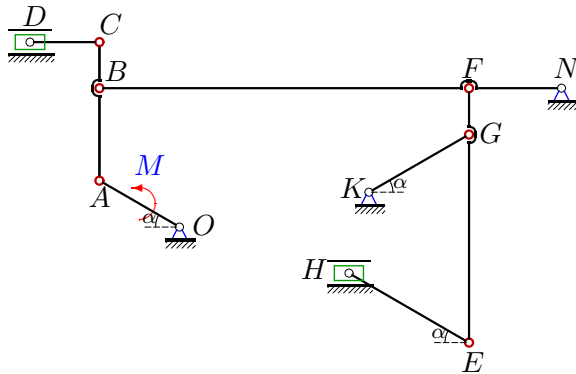
1



$\alpha = 30^\circ$,
 $AB = 20, BC = 10,$
 $BF = 50, FD = 50,$
 $NC = 15, EH = 30,$
 $FE = 55, FG = 10,$
 $OA = 20, KG = 25.$
 $p = [0.1, 0.3, 0.4, 0.2],$
 $T = [8, 7.5, 6.5, 5] \text{ H.}$

Задача L-27.17.

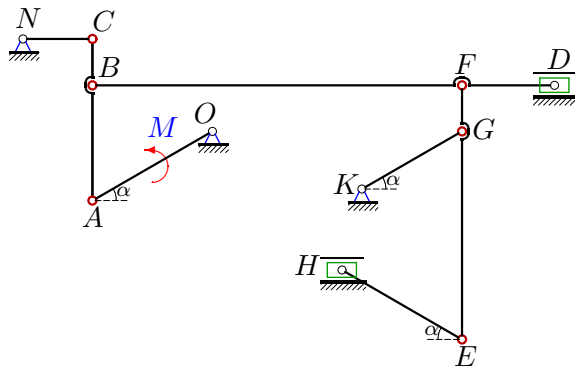
1



$\alpha = 30^\circ$,
 $AB = 20, BC = 10,$
 $BF = 80, NF = 20,$
 $CD = 15, EH = 30,$
 $FG = 10, GE = 45,$
 $OA = 20, KG = 25.$
 $p = [0.1, 0.3, 0.4, 0.2],$
 $T = [8, 7.5, 6, 5.5] \text{ H.}$

Задача L-27.18.

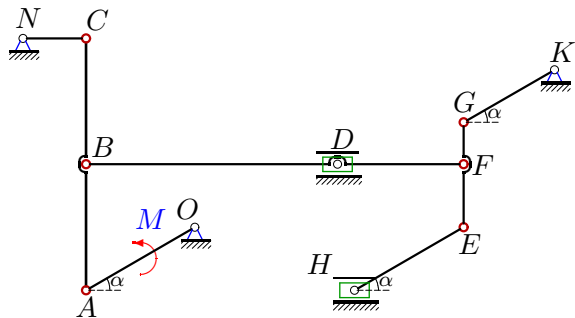
1



$\alpha = 30^\circ$,
 $AB = 25, BC = 10,$
 $BF = 80, FD = 20,$
 $NC = 15, EH = 30,$
 $FE = 55, FG = 10,$
 $OA = 30, KG = 25.$
 $p = [0.05, 0.35, 0.4, 0.2],$
 $T = [8, 7, 6.5, 5.5] \text{ H.}$

Задача L-27.19.

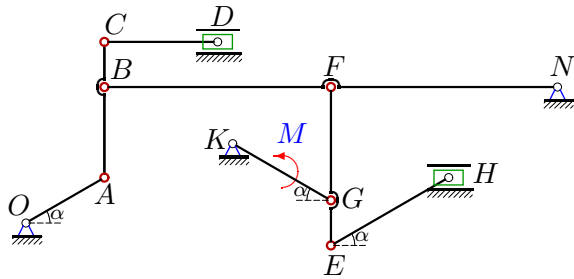
1



$\alpha = 30^\circ$,
 $AB = 30, BC = 30,$
 $DB = 60, DF = 30,$
 $NC = 15, EH = 30,$
 $FE = 15, FG = 10,$
 $OA = 30, KG = 25.$
 $p = [0.1, 0.3, 0.35, 0.25],$
 $T = [8.5, 7, 6.5, 5] \text{ H.}$

Задача L-27.20.

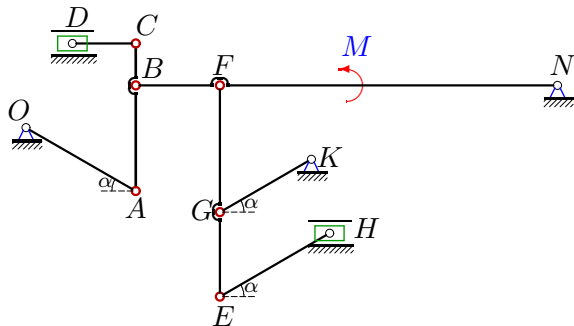
1



$\alpha = 30^\circ$,
 $AB = 20, BC = 10,$
 $BF = 50, NF = 50,$
 $CD = 25, EH = 30,$
 $FG = 25, GE = 10,$
 $OA = 20, KG = 25.$
 $p = [0.1, 0.3, 0.4, 0.2],$
 $T = [8, 7.5, 6, 5] \text{ H.}$

Задача L-27.21.

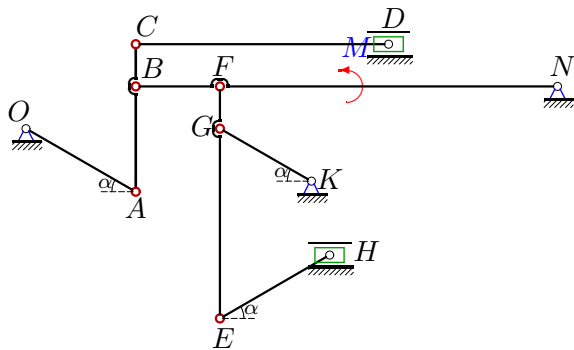
1



$\alpha = 30^\circ$,
 $AB = 25, BC = 10,$
 $BF = 20, NF = 80,$
 $CD = 15, EH = 30,$
 $FG = 30, GE = 20,$
 $OA = 30, KG = 25.$
 $p = [0.05, 0.35, 0.4, 0.2],$
 $T = [8, 7.5, 6.5, 5.5] \text{ H.}$

Задача L-27.22.

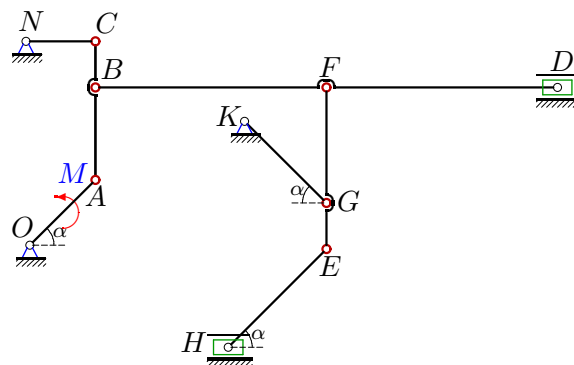
1



$\alpha = 30^\circ$,
 $AB = 25, BC = 10,$
 $BF = 20, NF = 80,$
 $CD = 60, EH = 30,$
 $FG = 10, GE = 45,$
 $OA = 30, KG = 25.$
 $p = [0.05, 0.35, 0.35, 0.25],$
 $T = [8.5, 7, 6, 5.5] \text{ H.}$

Задача L-27.23.

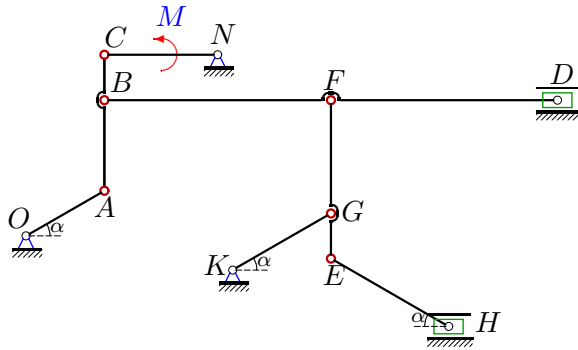
1



$\alpha = 45^\circ$,
 $AB = 20, BC = 10,$
 $BF = 50, FD = 50,$
 $NC = 15, EH = 30,$
 $FE = 35, FG = 25,$
 $OA = 20, KG = 25.$
 $p = [0.1, 0.3, 0.35, 0.25],$
 $T = [8.5, 7.5, 6.5, 5] \text{ H.}$

Задача L-27.24.

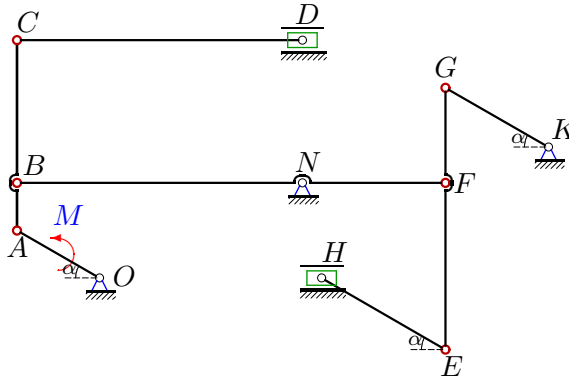
1



$\alpha = 30^\circ$,
 $AB = 20, BC = 10,$
 $BF = 50, FD = 50,$
 $NC = 25, EH = 30,$
 $FE = 35, FG = 25,$
 $OA = 20, KG = 25.$
 $p = [0.1, 0.3, 0.35, 0.25],$
 $T = [8.5, 7, 6, 5] \text{ H.}$

Задача L-27.25.

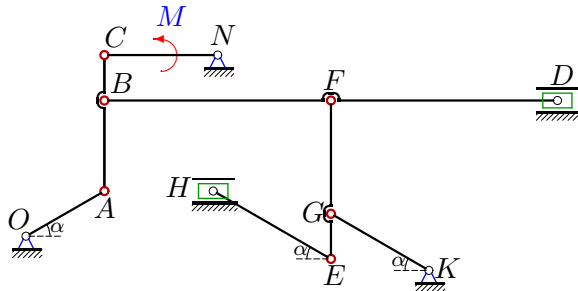
1



$\alpha = 30^\circ$,
 $AB = 10, BC = 30,$
 $NB = 60, NF = 30,$
 $CD = 60, EH = 30,$
 $FE = 35, FG = 20,$
 $OA = 20, KG = 25.$
 $p = [0.1, 0.3, 0.35, 0.25],$
 $T = [8.5, 7.5, 6, 5] \text{ H.}$

Задача L-27.26.

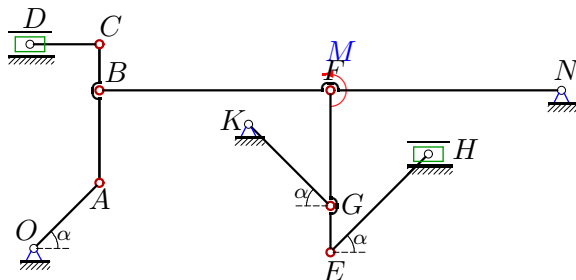
1



$\alpha = 30^\circ$,
 $AB = 20, BC = 10,$
 $BF = 50, FD = 50,$
 $NC = 25, EH = 30,$
 $FE = 35, FG = 25,$
 $OA = 20, KG = 25.$
 $p = [0.1, 0.3, 0.4, 0.2],$
 $T = [8, 7, 6.5, 5.5] \text{ H.}$

Задача L-27.27.

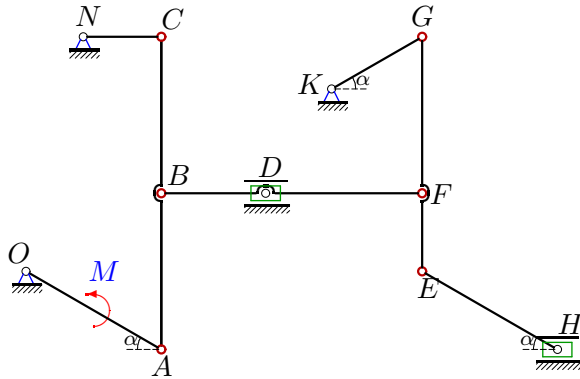
1



$\alpha = 45^\circ$,
 $AB = 20, BC = 10,$
 $BF = 50, NF = 50,$
 $CD = 15, EH = 30,$
 $FG = 25, GE = 10,$
 $OA = 20, KG = 25.$
 $p = [0.1, 0.3, 0.4, 0.2],$
 $T = [8, 7.5, 6, 5] \text{ H.}$

Задача L-27.28.

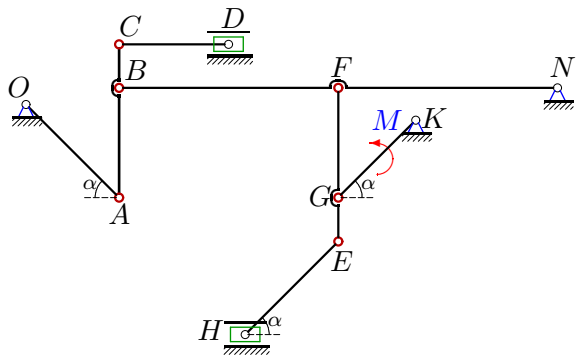
1



$\alpha = 30^\circ$,
 $AB = 30, BC = 30,$
 $DB = 20, DF = 30,$
 $NC = 15, EH = 30,$
 $FE = 15, FG = 30,$
 $OA = 30, KG = 20.$
 $p = [0.05, 0.35, 0.35, 0.25],$
 $T = [8.5, 7, 6, 5.5] \text{ H.}$

Задача L-27.29.

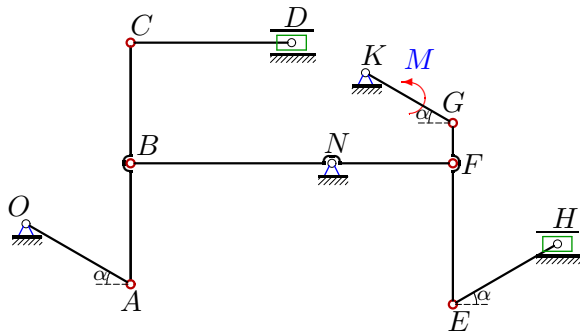
1



$\alpha = 45^\circ$,
 $AB = 25, BC = 10,$
 $BF = 50, NF = 50,$
 $CD = 25, EH = 30,$
 $FG = 25, GE = 10,$
 $OA = 30, KG = 25.$
 $p = [0.1, 0.3, 0.35, 0.25],$
 $T = [8.5, 7.5, 6.5, 5] \text{ H.}$

Задача L-27.30.

1



$\alpha = 30^\circ$,
 $AB = 30, BC = 30,$
 $NB = 50, NF = 30,$
 $CD = 40, EH = 30,$
 $FE = 35, FG = 10,$
 $OA = 30, KG = 25.$
 $p = [0.05, 0.35, 0.4, 0.2],$
 $T = [8, 7.5, 6.5, 5.5] \text{ H.}$

Ответы.

Условие равновесия механизма

22-Jan-16

	v_A	v_B	v_C	v_D	v_E	v_F	v_G	v_H	M
1	30.000	25.981	30.000	15.000	39.051	17.321	20.000	45.000	396.000
2	84.853	60.000	189.737	180.000	27.042	15.000	21.213	7.500	1218.750
3	41.667	29.463	41.667	29.463	31.869	17.678	25.000	44.194	484.294
4	20.000	17.678	14.142	10.607	33.153	11.424	6.000	28.638	264.900
5	57.735	52.042	50.000	14.434	35.119	20.817	17.321	40.415	341.431
6	30.000	25.981	26.665	6.000	28.618	12.990	15.000	18.000	159.000
7	50.000	35.355	38.079	14.142	34.359	17.678	25.000	11.785	175.009
8	115.470	100.000	104.083	28.868	64.291	50.000	57.735	69.282	623.250
9	17.321	15.275	15.000	2.887	8.963	8.036	8.660	0.577	22.343
10	30.000	26.332	25.981	4.286	17.831	13.679	15.000	19.714	153.600
11	20.000	14.907	14.142	4.714	16.518	8.498	10.000	7.857	80.767
12	115.470	100.000	102.632	23.094	25.716	20.000	23.094	4.619	187.061
13	125.000	108.253	112.673	31.250	30.046	21.651	25.000	8.333	251.354
14	20.000	14.142	15.811	7.071	12.166	7.071	10.000	16.971	157.473
15	17.321	15.275	15.000	2.887	8.963	8.036	8.660	9.238	79.415
16	17.321	15.275	15.000	2.887	13.170	8.036	8.660	15.155	119.981
17	20.000	17.321	18.028	5.000	11.533	3.464	4.000	13.000	117.900
18	30.000	26.332	25.981	4.286	5.896	6.736	6.000	0.214	29.475
19	30.000	27.042	25.981	7.500	32.692	15.000	15.000	37.500	291.375
20	50.000	43.301	45.069	12.500	27.839	21.651	25.000	30.000	274.125
21	115.470	100.000	102.632	23.094	111.022	80.000	92.376	30.792	362.384
22	115.470	100.000	102.632	23.094	266.333	80.000	92.376	300.222	2053.058
23	20.000	14.907	14.142	4.714	13.744	8.498	10.000	18.856	156.153
24	28.868	25.459	25.000	4.811	14.938	13.394	14.434	15.396	127.306
25	20.000	17.321	34.641	30.000	12.311	8.660	10.000	13.750	282.188
26	28.868	25.459	25.000	4.811	17.347	13.394	14.434	4.811	63.509
27	141.421	100.000	111.803	50.000	86.023	50.000	70.711	120.000	1096.500
28	30.000	27.042	25.981	7.500	38.971	39.686	45.000	22.500	190.500
29	50.000	35.355	38.079	14.142	30.414	17.678	25.000	7.071	140.537
30	41.667	36.084	41.667	20.833	48.814	21.651	25.000	31.250	350.260

L-27 файл о27L1A

N°	ω_{OA}	ω_{CA}	ω_{CD}	ω_{BF}	ω_{FE}	ω_{KG}	ω_{EH}	ω_{NC}
1	1.000	0.500	0.650	0.433	-1.000	0.800	0.667	-
2	4.243	-6.000	1.000	1.000	1.500	-0.849	-0.707	-
3	1.389	0.982	-0.589	-0.589	-1.768	1.000	-0.833	-
4	1.000	-0.354	-	-0.283	-1.485	0.240	0.200	-0.283
5	-1.925	-0.481	-	1.000	-1.155	-0.693	-0.577	1.000
6	1.000	0.600	-1.732	0.260	-0.750	0.600	0.500	-
7	1.667	1.414	1.414	0.354	0.589	1.000	0.833	-
8	-5.774	2.887	4.000	1.000	-1.155	-2.309	-1.925	-
9	0.866	-0.289	-	-0.150	-0.058	-0.346	0.289	1.000
10	1.000	0.429	-	-0.260	-0.471	0.600	-0.500	-1.039
11	1.000	-0.471	-	0.141	0.393	0.400	0.333	0.566
12	3.849	2.309	-6.667	1.000	-0.462	0.924	-0.770	-
13	-6.250	3.125	-2.706	-1.083	0.417	1.000	0.833	-
14	1.000	-0.707	-0.566	-0.141	-0.283	-0.400	0.333	-
15	0.866	-0.289	-	-0.150	-0.058	-0.346	0.289	1.000
16	-0.866	0.289	-	-0.150	0.144	-0.346	-0.289	1.000
17	1.000	-0.500	-1.155	0.173	0.200	-0.160	-0.133	-
18	1.000	0.429	-	0.260	-0.129	-0.240	-0.200	-1.732
19	1.000	0.250	-	0.433	1.500	-0.600	0.500	-1.732
20	2.500	-1.250	-1.732	-0.433	0.500	1.000	-0.833	-
21	-3.849	-2.309	-6.667	1.000	1.540	3.695	3.079	-
22	-3.849	-2.309	1.667	1.000	-4.619	3.695	3.079	-
23	1.000	-0.471	-	-0.141	0.471	0.400	0.333	0.943
24	-1.443	0.481	-	0.250	0.096	-0.577	0.481	1.000
25	1.000	-1.000	0.289	0.289	-0.250	-0.400	0.333	-
26	-1.443	0.481	-	0.250	-0.481	0.577	-0.481	1.000
27	-7.071	5.000	-6.667	1.000	-2.000	-2.828	2.357	-
28	1.000	0.250	-	-1.299	-0.500	-2.250	1.500	1.732
29	-1.667	-1.414	1.414	0.354	0.707	1.000	-0.833	-
30	-1.389	-0.694	0.902	0.722	-1.250	1.000	-0.833	-